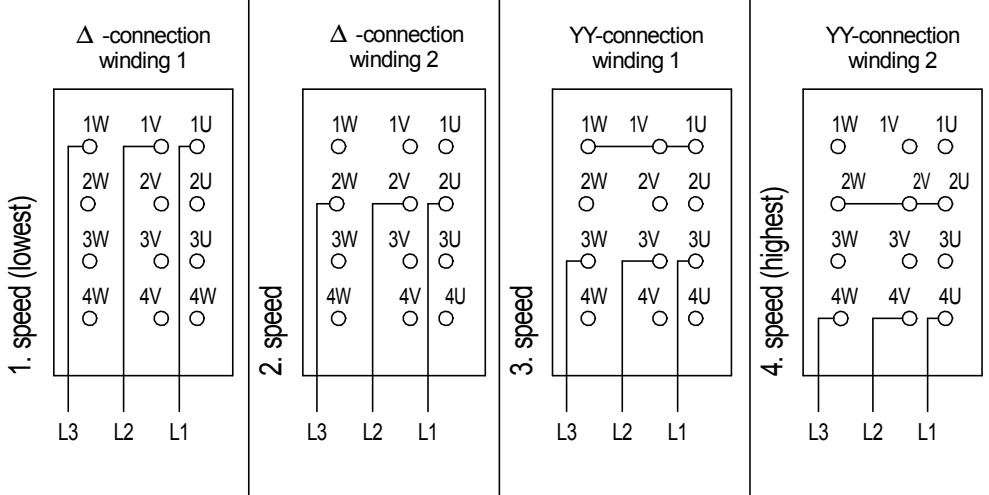


Three-phase motor for 4 speeds
 with 2 separate windings each winding in Dahlander connection
 for speed 1, 3 and speed 2, 4

Conn. diagram
KP 0044



For pole-changing switch connect all terminals with pole-changing switch
 star connections by pole-changing switch

			Datum	24.09.2005	
			Bearb	Kresse	
			Gepr		
			Norm		
01					
Zust.	Mitteilung	Datum	Name		



Elektromotorenwerk
 Wernigerode

Zeichnungs-Nr.

KP 0044 e