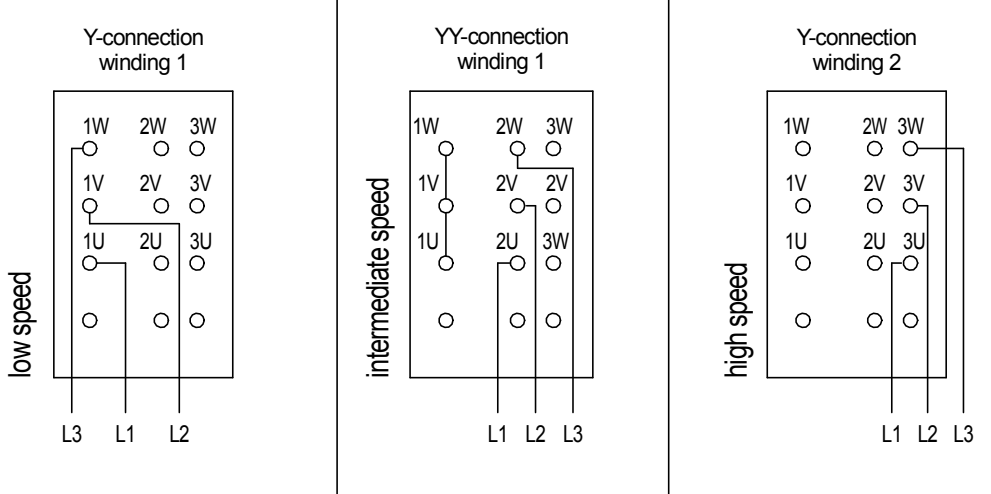



Three-phase motor for 3 speeds
 with 2 separate windings
 winding 1 in Dahlander connection for speed 1, 2

Conn. diagram
KP 0038



For pole-changing switch connect all terminals with pole-changing switch
 star connections for intermediate speed by pole-changing switch

| | | | | | |
|-------|------------|-------|------|--|------------------------------------|
| | | | | Datum | 25.09.2005 |
| | | | | Bearb | Kresse |
| | | | | Gepr | |
| | | | | Norm | |
| | | | | | |
| | | | | | |
| | | | | | |
| | | | | | |
| 01 | | | |  Elektromotorenwerk Wernigerode | Zeichnungs-Nr. KP 0038 e |
| Zust. | Mitteilung | Datum | Name | | |