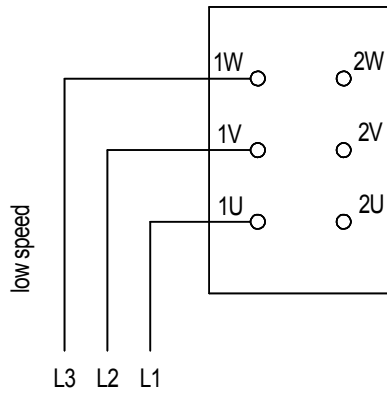


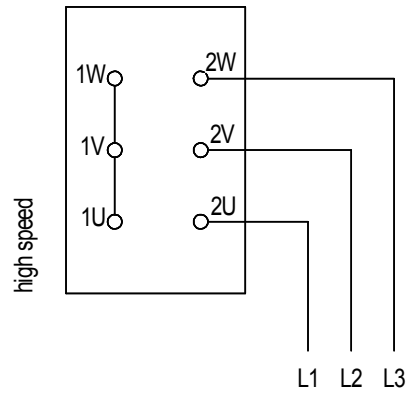
Three-phase motor  
with 1 winding with Dahlander-circuitry  $\Delta$  / YY

Conn. diagram  
KP 0003


$\Delta$  - connection



YY - connection



For pole-changing switch connect all terminals with switch  
Star connection for high speed by pole-changing switch

			Datum	22.11.2004	
			Bearb	Kresse	
			Gepr		
			Norm		
01					
Zust	Mitteilung	Datum	Name		
				 Elektromotorenwerk Wernigerode	Zeichnungs-Nr. <b>KP 0003 e</b>
					Blatt
					Bl.