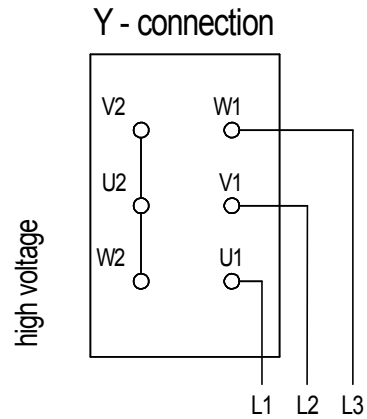
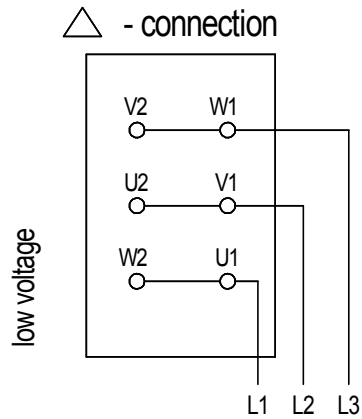


Three-phase Motor/Three-phase Generator

Conn. diagram
KP 0001



For use of star-delta switch: remove the star resp. delta interconnections.
Connect all terminals with the corresponding star-delta-switch terminals.
for special marking: RSR - reverse locking, sense of rotation cw (clock-wise)
RSL - reverse locking, sense of rotation ccw (counter clock-wise)
the motor is internally connected in the respective sense of rotation. Connect always L1 - U1; L2 - V1; L3 - W1
according to terminal board. **DO NOT CHANGE THE CONNECTIONS!!!**

				Datum	22.11.2004
				Bearb	Kresse
				Gepr	
				Norm	
01					
Zust.	Mitteilung	Datum	Name		



Elektromotorenwerk
Wernigerode

Zeichnungs-Nr.

KP 0001 e